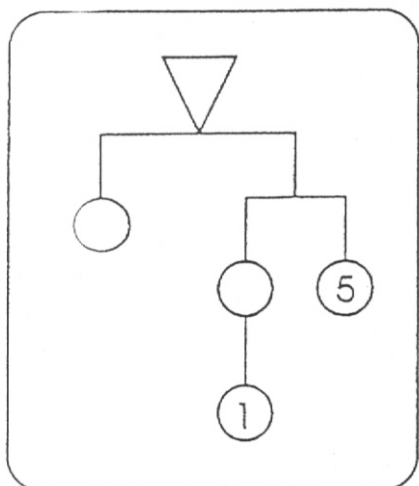
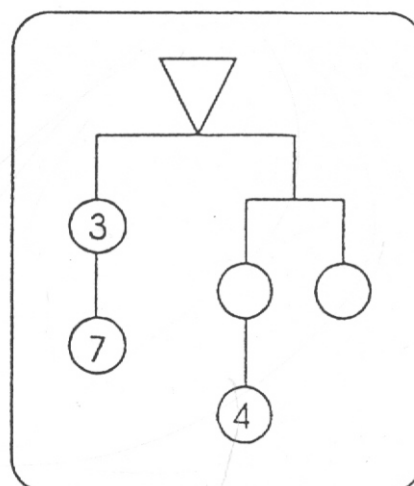


The beams balance so the total weight must be the same at either end.
Find the other weights :

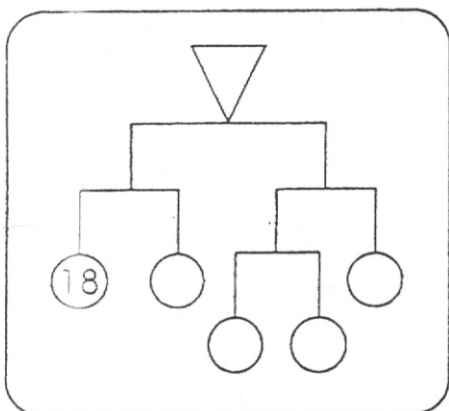
1)



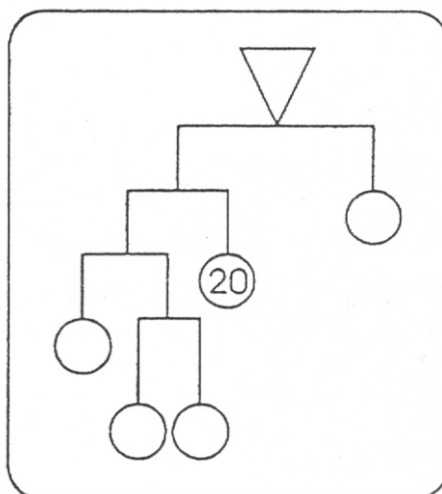
2)



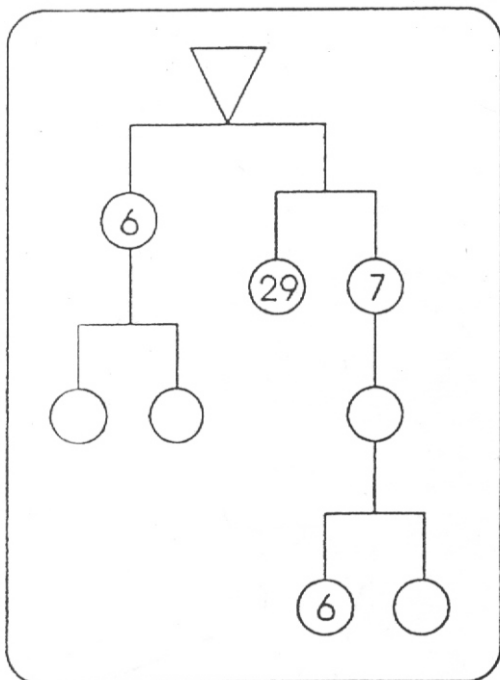
3)



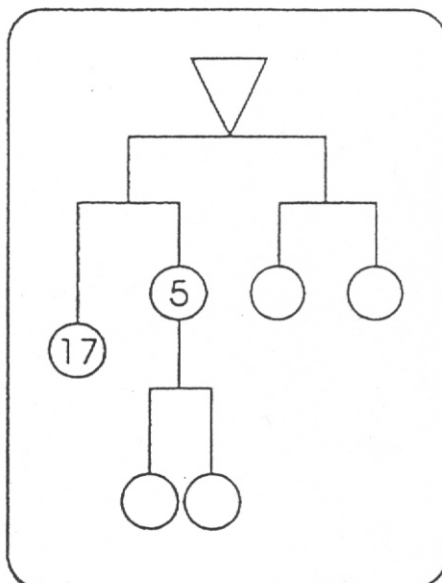
4)



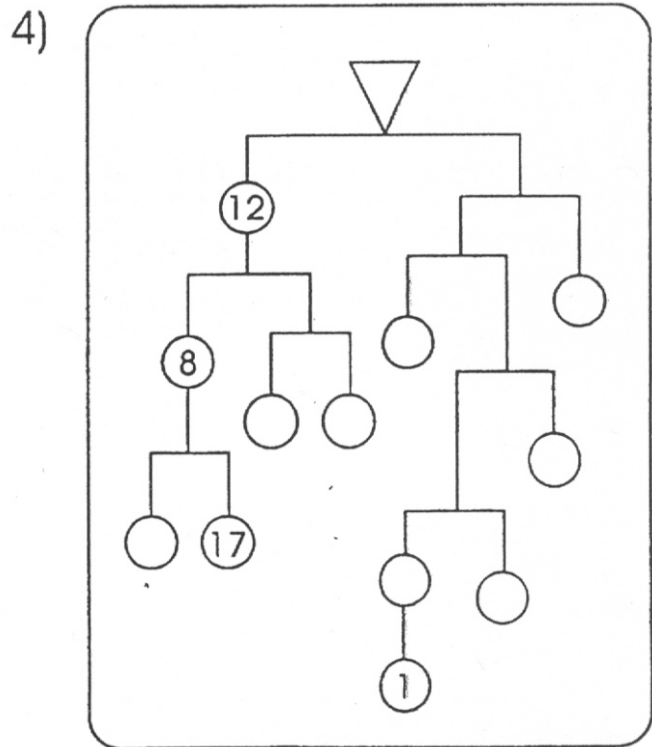
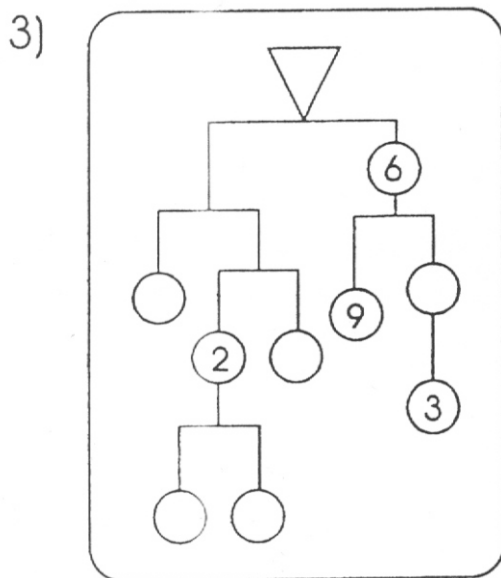
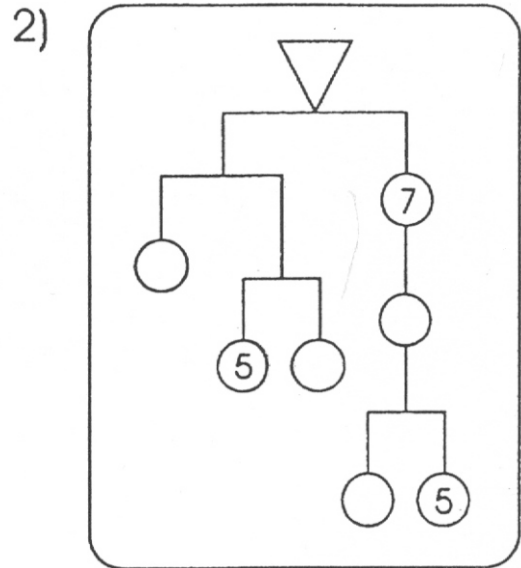
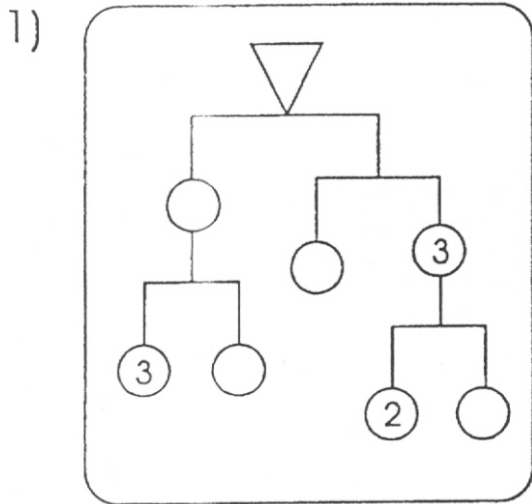
5)



6)

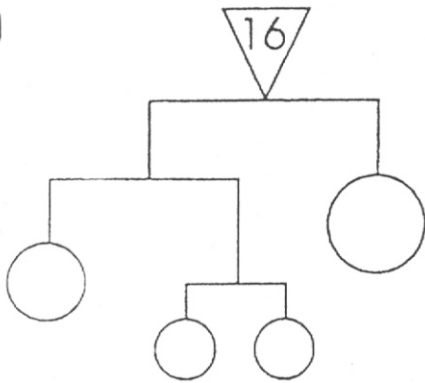


The beams balance so the total weight must be the same at either end.
Find the other weights :

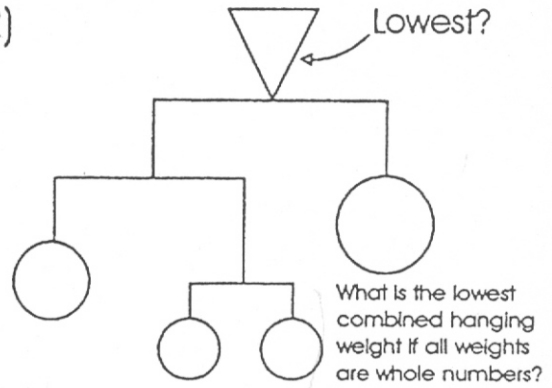


Find the other weights :

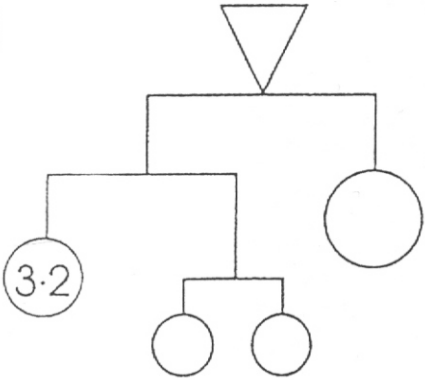
1)



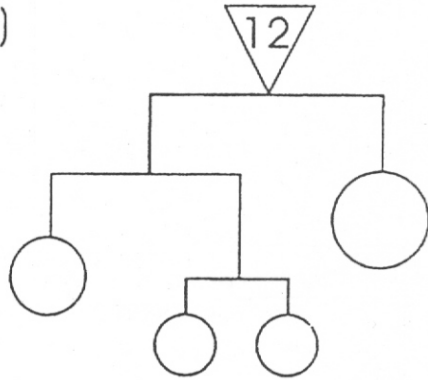
2)



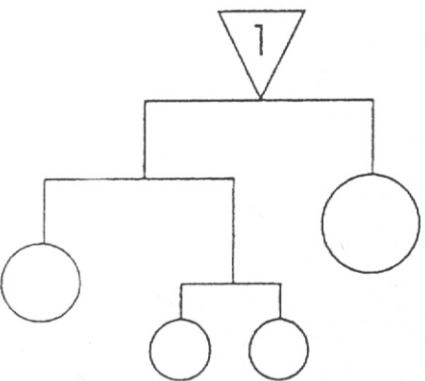
3)



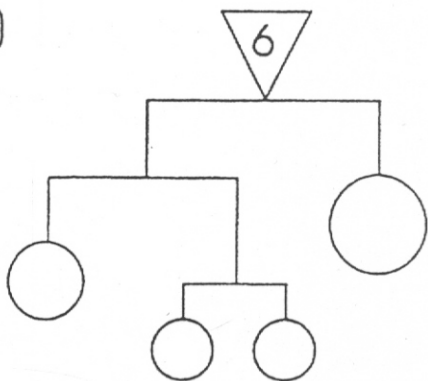
4)



5)



6)



7) Explain how, if you were given any one of the weights, you could work out all the others.
Make sure that you consider each possibility (other than the symmetrical case).